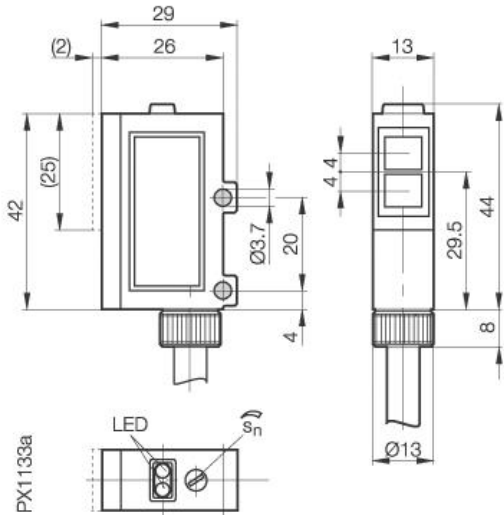


Photoelectric Sensor BLE 15K-R-F5-02 Sn=5000mm through-beam



Common Data

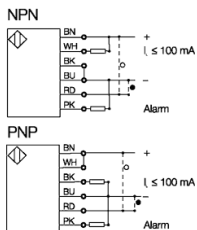
Series	15K
Sensortype	through-beam
Switching frequency	250 Hz
Rated operating distance Sn in mm	5000
asured operating distance Sa	80% from Sn
Repeat accuracy	< 5% from Sn
Hysteresis	< 20%
Indication Supply Voltage	no
Indication Switching element on	yes, red LED
Indication Special funktion	LED green Stability indicator
Ambient temperature	-15...+55°C
On-delay	< 2ms
Off-delay	< 2ms
Light	Infrared
Sensitivity Adjustment	Poti
Blind zone / min Reflector distance	0
Special funktion	Alarm output/Stab. indicator
Permissible ambient light	3000 Lux
Output funktion	light-on or dark-on

Mechanical Data

Measurements	29x52x13
Shock	Halfsinus, 30gn, 11ms
Vibration	10...55Hz, 1,5mm Amplitude 3x2h
Housing material	ABS UL 94 V-O
Material of sensing face	PMMA
Degree of protection	IP66
Connection	Cable
Weighth	85g
Type of Cable	PVC

Electrical Data

Current	DC
Switching funktion	NO/NC
Output	PNP/NPN
Rated operational voltage Ue	24V DC
Rated operational current Ie	100mA
Supply Voltage	10...30V DC
Ripple	max. 6% from UB
Frequency of Supply Voltage	DC
Voltage drop	<1,5V
Short protection	yes
Protected against polarity reversal	no
Rated insulation voltage	75V DC
max. Load capacity	0,5µF



Utilization categories
Insulation class

Datasheet number:

Definitions see general catalog.
If not otherwise noted, ratings according to
IEC 60947-5-2 (DIN EN60947-5-2)

Balluff GmbH
Schurwaldstrasse 9
73765 Neuhausen a.d.F.
Phone (07158) 173-0 Fax (07158) 5010

Datenblatt by CD-ROM - 04/2007

BALLUFF
sensors worldwide